

UNM 13058W-10

Unix nerez



Držák sklenky-NEREZ

Držák sklenky. Úchyt broušená nerez. Sklenka matovaná.

Glass cup holder - STAINLESS STEEL

Glass cup holder. Holder made of brushed stainless steel, matt glass. The glue MAMUT is not included in the package. It is possible to buy it under the article number 35003TU. The amount of glue in the tube is sufficient for sticking 8-10 holders.

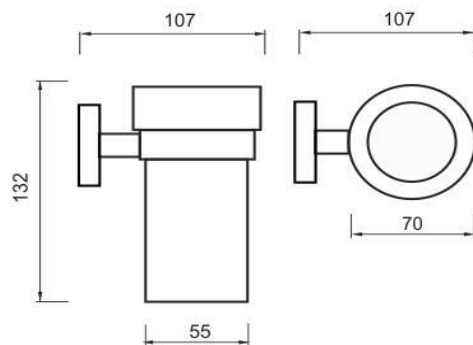
Náhradní díly / Spare parts



1058W

Sklenka

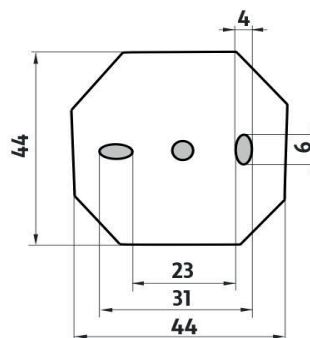
Glass cup



montáž / installation :



montážní konzole / installation bracket :



materiál - úprava (barva) / material - surface finish (colour) :

nerez 1.4301-broušená nerez

stainless steel 1.4301-brushed stainless steel



→ 170
↑ 90
↗ 120

EAN : **8595187111738**



ROMVEL spol. s r. o.
Dr. Milady Horákové 561/86a
Liberec 7, 460 07
Česká Republika / Czech Republic

T: (+420) 485 105 671
T: (+420) 485 107 441
F: (+420) 485 105 674
E: nimco@nimco.cz



www.nimco.cz