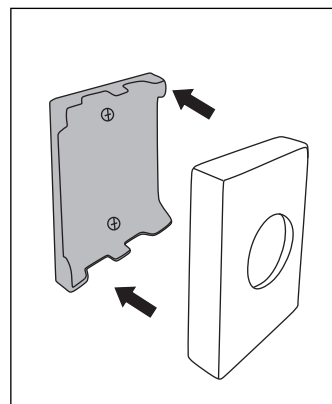
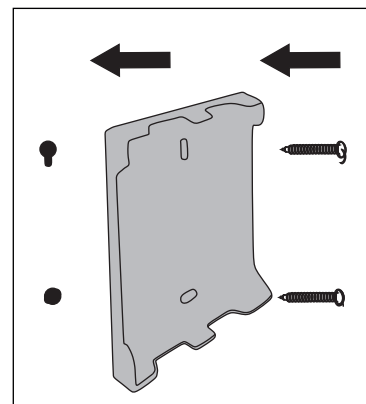
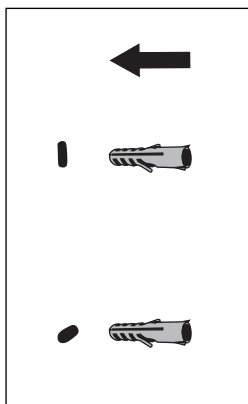
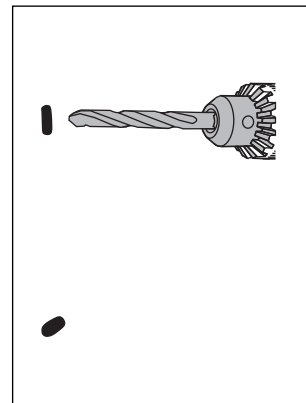
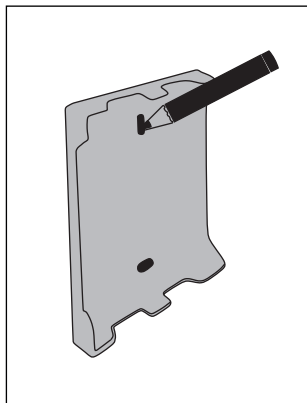
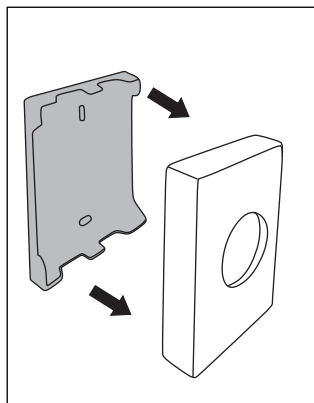
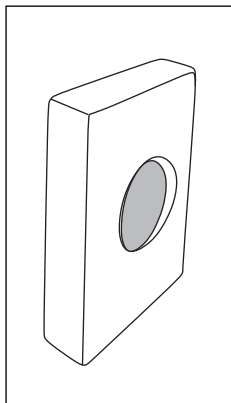


NÁVOD K MONTÁŽI

Hygienický program

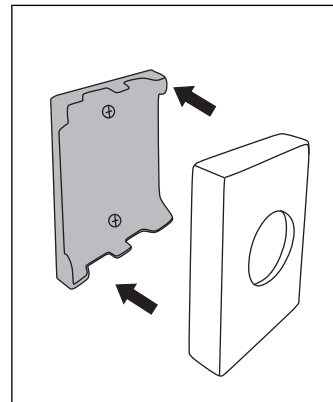
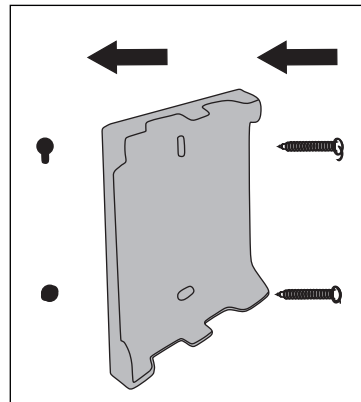
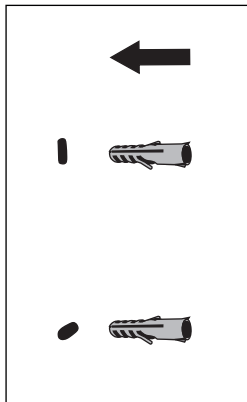
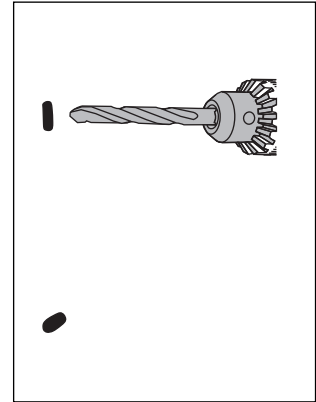
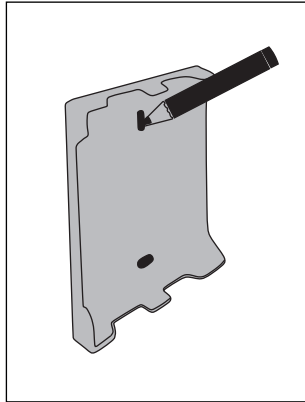
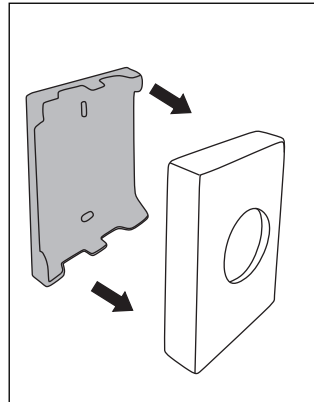
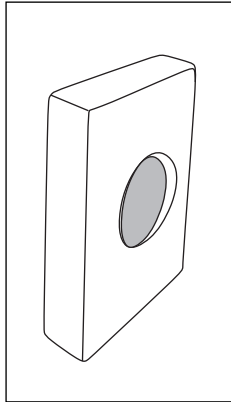
UN 9005P-26 / HPM 27004-10

1-2-3-4
5-6-7

INSTALLATION INSTRUCTION

Sanitary program

UN 9005P-26 / HPM 27004-10



1-2-3-4
5-6-7